

Management guidelines for dune use

Leaflet No.
V-02.2

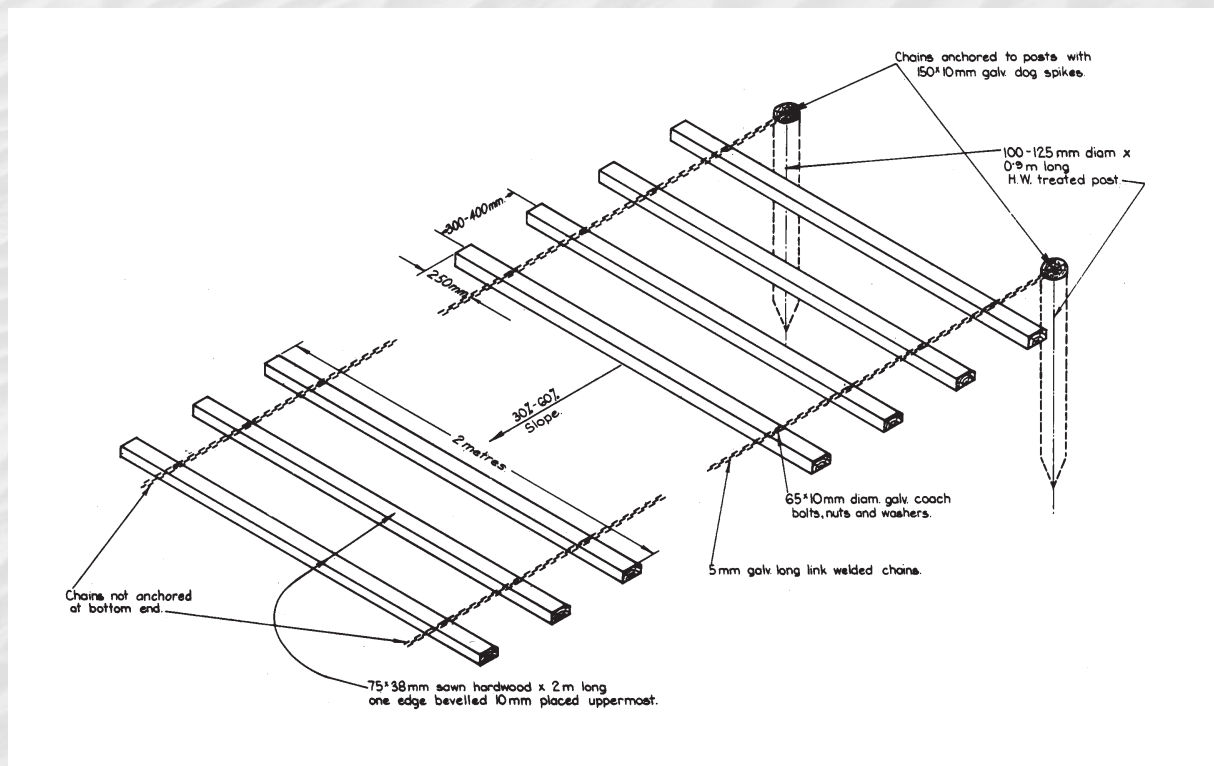
Board and chain walkways, steps, advisory signs

Board and chain walkways

Board and chain walkways are placed at the beach end of access tracks where frontal dune slopes are between 30% and 60% (17°-31°). Their use prevents lowering of the dune and the development of blowouts which result when pedestrian traffic is concentrated at one spot on the dune. Properly constructed and installed boardwalks improve the ease of access to and from the beach.

The standard width for board and chain walkways is 2m. Other widths may be considered, e.g. for surfboat launching and vehicle access.

Boardwalks can be constructed using 2000mm x 75mm x 38mm dressed hardwood fixed at spacings ranging from 300mm to 400mm along a pair of 5mm long-link, galvanised, welded chains. Boardwalks wider than 2m require an additional centre chain.



Board and chain walkway down face of a foredune.



Beach Protection
Authority
Queensland



QUEENSLAND
GOVERNMENT

Environmental
Protection
Agency

The spacing between boards depends on dune slope – the steeper the slope, the greater the spacing. The boards should preferably have one edge bevelled about 10mm deep and this edge placed uppermost during construction. The boards are attached 250mm from each end by means of 64mm x 10mm galvanised bolts, washers and nuts.

The chains are attached at the top end by driving a galvanised dog spike 150mm x 5mm through the chain into the end of a 900mm length of treated fence post (100-125mm diameter) buried to its entire length in the ground. The bottom end of the board and chain walkway is left free to allow it to be lifted when sand accumulates on it. Repair and maintenance of the boardwalks should be carried out as required.

Steps

Steps should be used for beach access when the seaward face of the frontal dune has a slope greater than 50% (26.5°). Where the frontal dune has been destroyed and boulder or concrete retaining walls have been constructed, steps are usually used for beach access.

Suggested specifications for beach steps:

Width: not less than 600mm between handrails



Steps providing access to and from the beach.

Slope: no greater than 45°

Risers: should not exceed 18 per flight

Steps: 1000mm x 305mm x 50mm hardwood

Height between steps: 150-220mm

Stringers: 230mm x 50mm hardwood

Handrails: 100mm x 50mm hardwood

Steps should be firmly anchored, using at least 100mm x 100mm timber sunk at least 1m into sand, especially at the lower beach end.

Advisory signs

Suitably worded signs advising the location of access tracks, boardwalks and steps should be provided as required and placed in suitable positions.

Suitable signs can be made using 14-gauge (or its metric equivalent) marine-grade aluminium. The size of the sign will depend on the purpose for which it is used. Signs 457mm x 356mm are suitable for use with access tracks, board and chain walkways and steps. The wording for each sign can be printed in large letters on a white or coloured background.

The signs are bolted to a galvanised post 2.4m long (60mm outside diameter) concreted at least 500mm in the ground. The bolts, washers and nuts should be heavily galvanised to prevent corrosion.



Board and chain walkway and access track to beach.



Board and chain walkway and advisory sign.