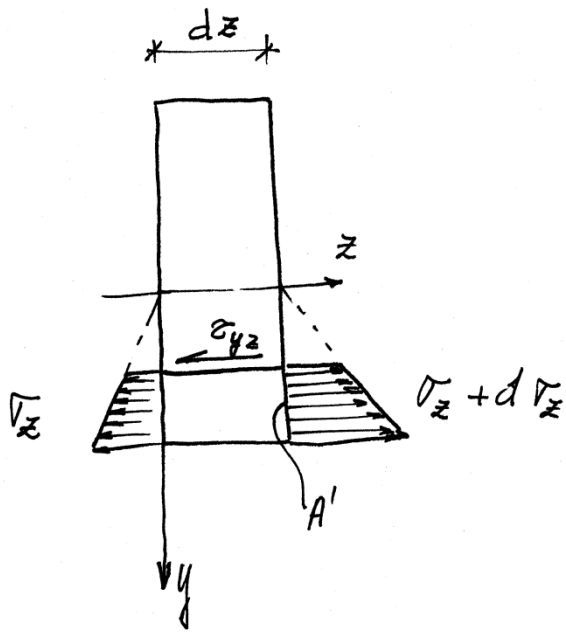
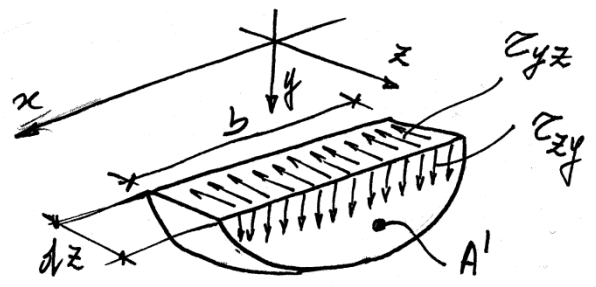
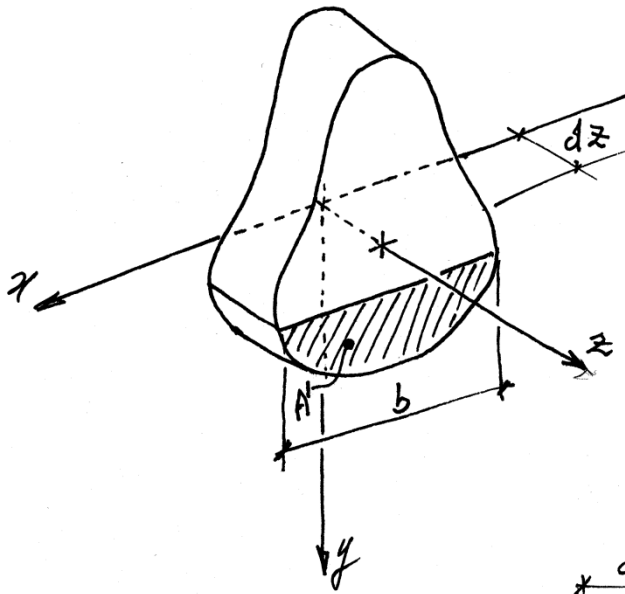
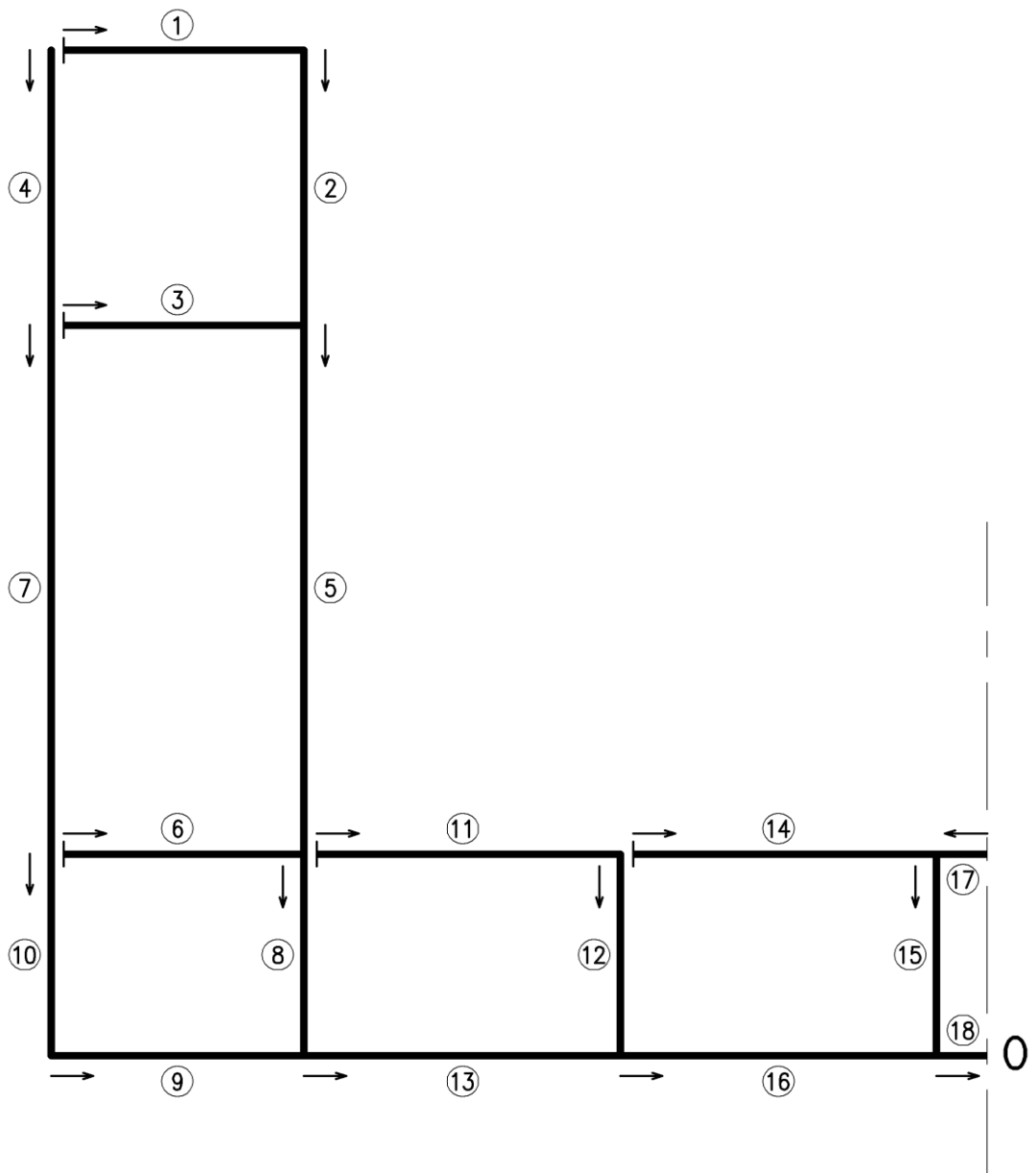


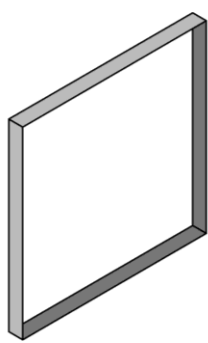


Dmitrij Ivanovič Žuravskij
(1821-1891)
Jourawski

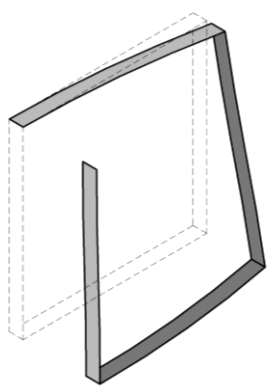






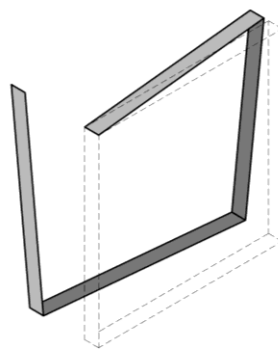


:



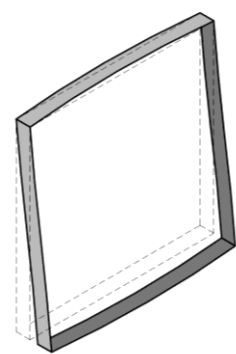
warping dovuto al
flusso isostatico
 q^*

+

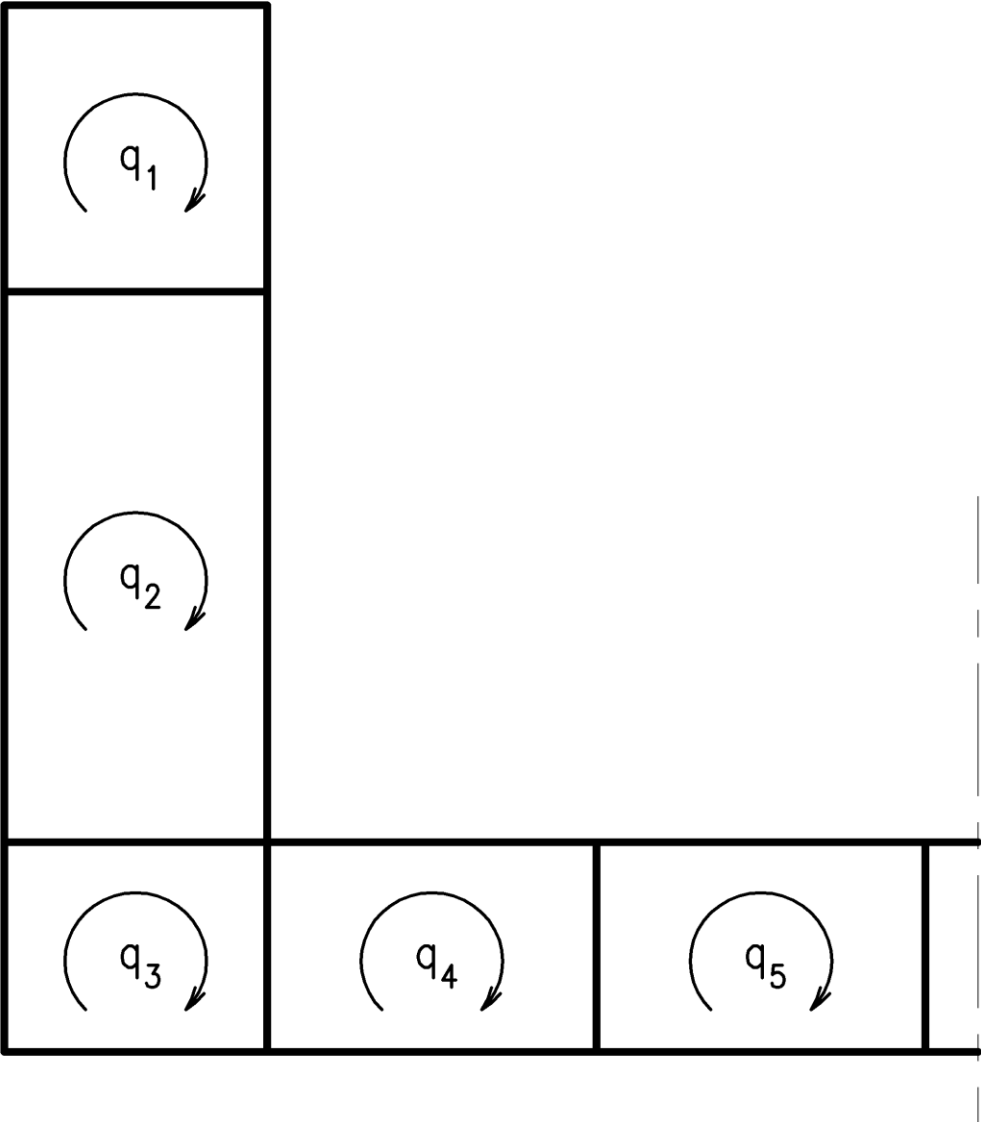


warping dovuto al
flusso correttivo
 q_c

=



warping dovuto al
flusso risultante
 $q = q^* + q_c$



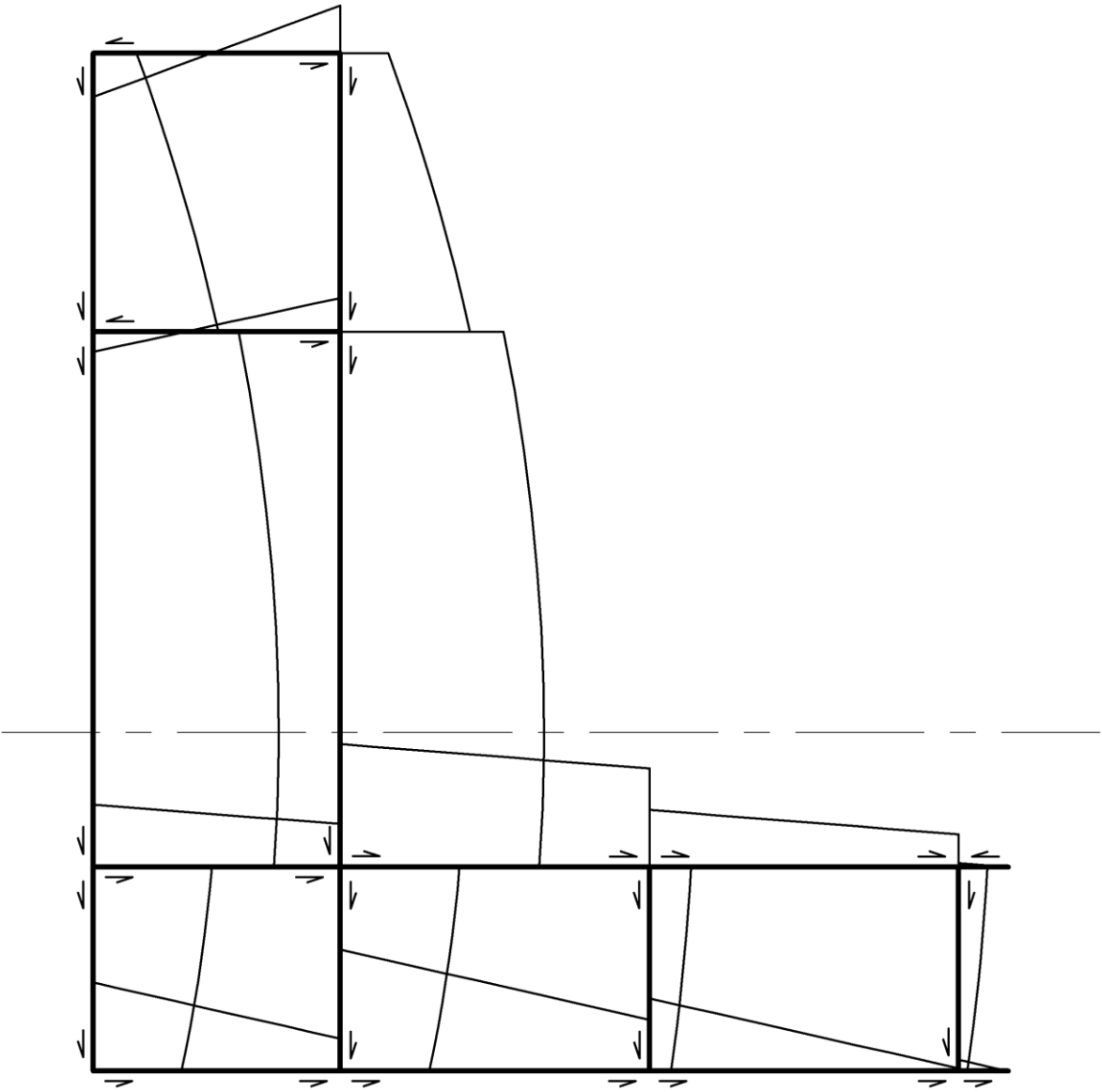
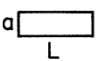


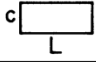
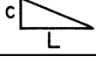


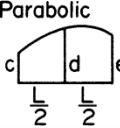


Table of $\int_0^L F_1(x)F_2(x) dx$

$\begin{array}{c} \rightarrow F_1(x) \\ \downarrow F_2(x) \end{array}$			
	Lac	$\frac{Lac}{2}$	$\frac{Lc(a+b)}{2}$
	$\frac{Lac}{2}$	$\frac{Lac}{3}$	$\frac{Lc(2a+b)}{6}$
	$\frac{Lac}{2}$	$\frac{Lac}{6}$	$\frac{Lc(a+2b)}{6}$
	$\frac{La(c+d)}{2}$	$\frac{La(2c+d)}{6}$	$\frac{La(2c+d)+Lb(c+2d)}{6}$
Parabolic 	$\frac{La(c+4d+e)}{6}$	$\frac{La(c+2d)}{6}$	$\frac{La(c+2d)+Lb(2d+e)}{6}$