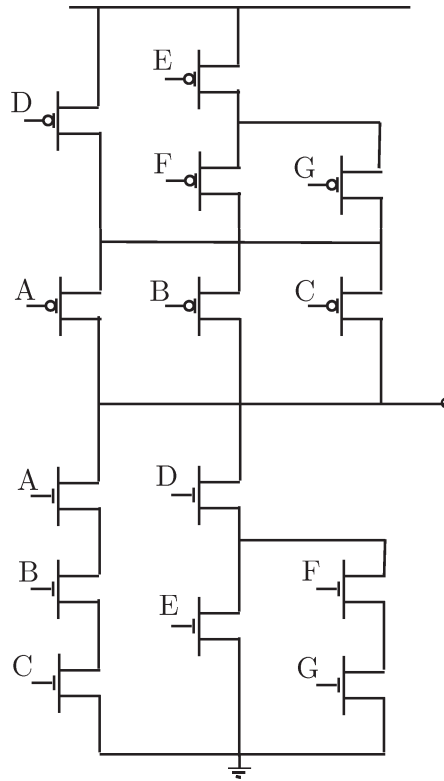


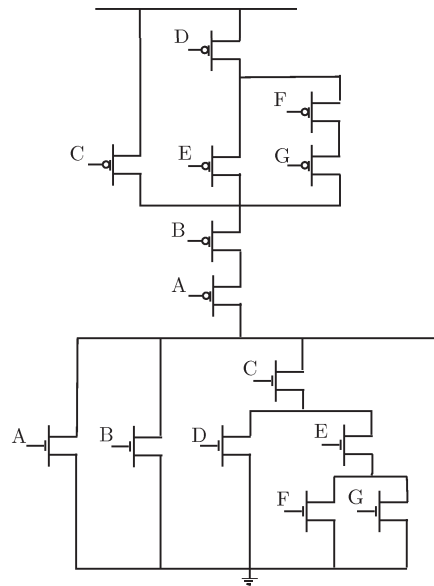
Chapter 13:

1. Draw the FCMOS circuits that implement the following functions:

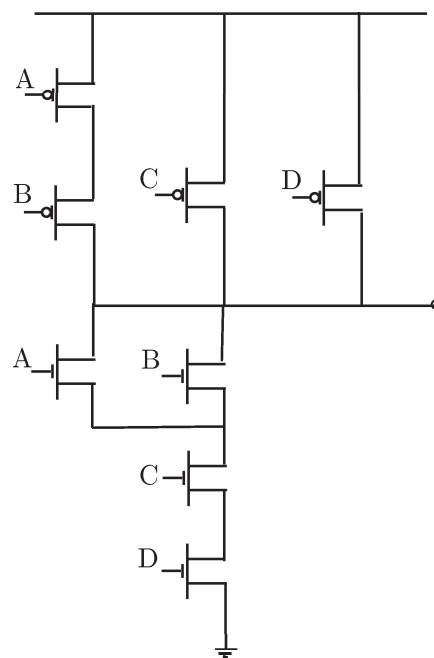
$$Y = \overline{ABC + D(E + FG)},$$



$$Y = \overline{A + B + C(D + E(F + G))},$$



$$Y = \overline{A} \cdot \overline{B} + \overline{CD} = \overline{(A + B)} \cdot CD.$$



2. Discuss NMOS and CMOS transmission gates.
See Section 13.02.

3. Discuss the disturb generated by the phase signal.
See Page 199.