

Corso di impiego industriale dell'energia



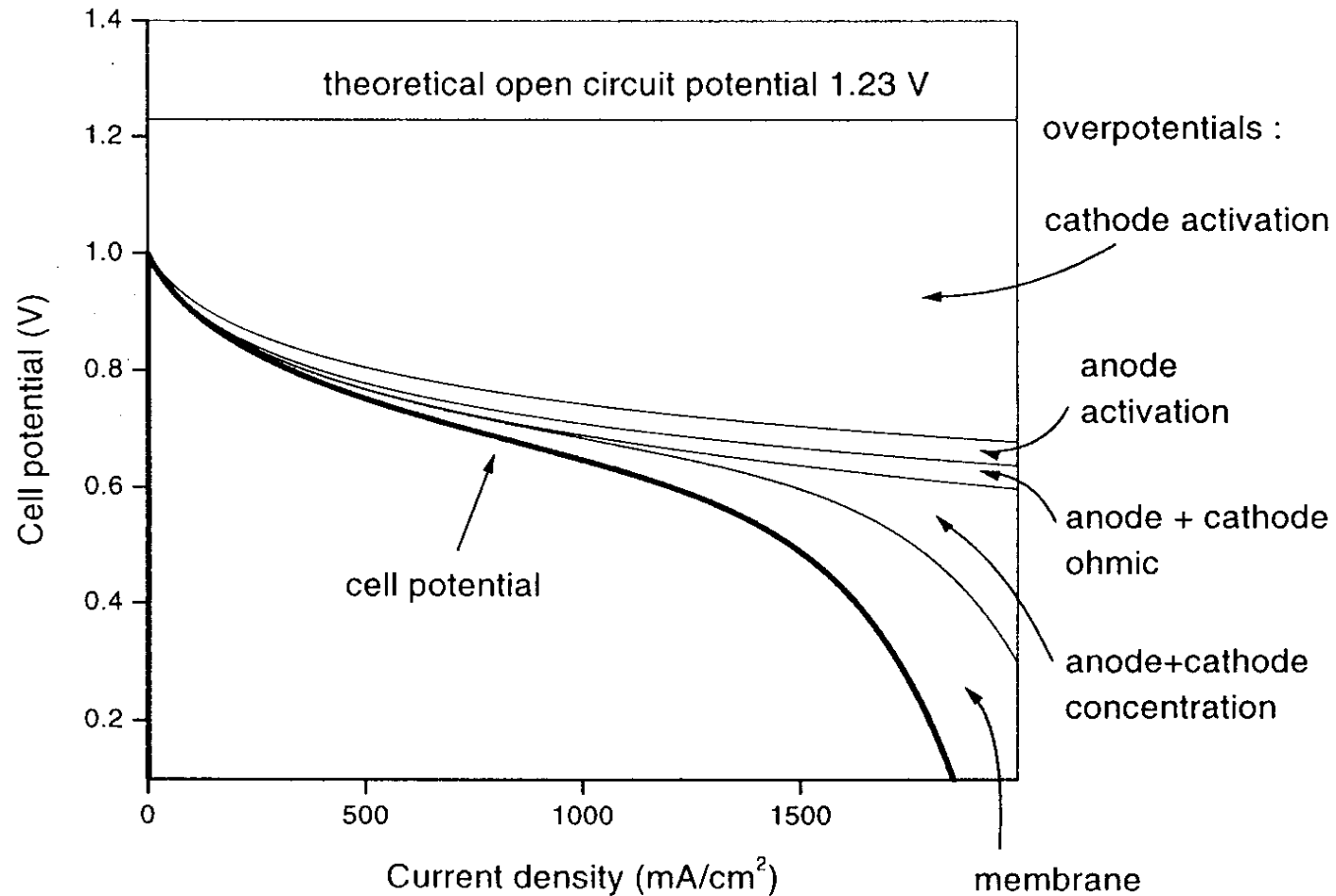
Esercitazione- Caratterizzazione cella a combustibile

Prof. Rodolfo Tacconi

A.A. 2020-21

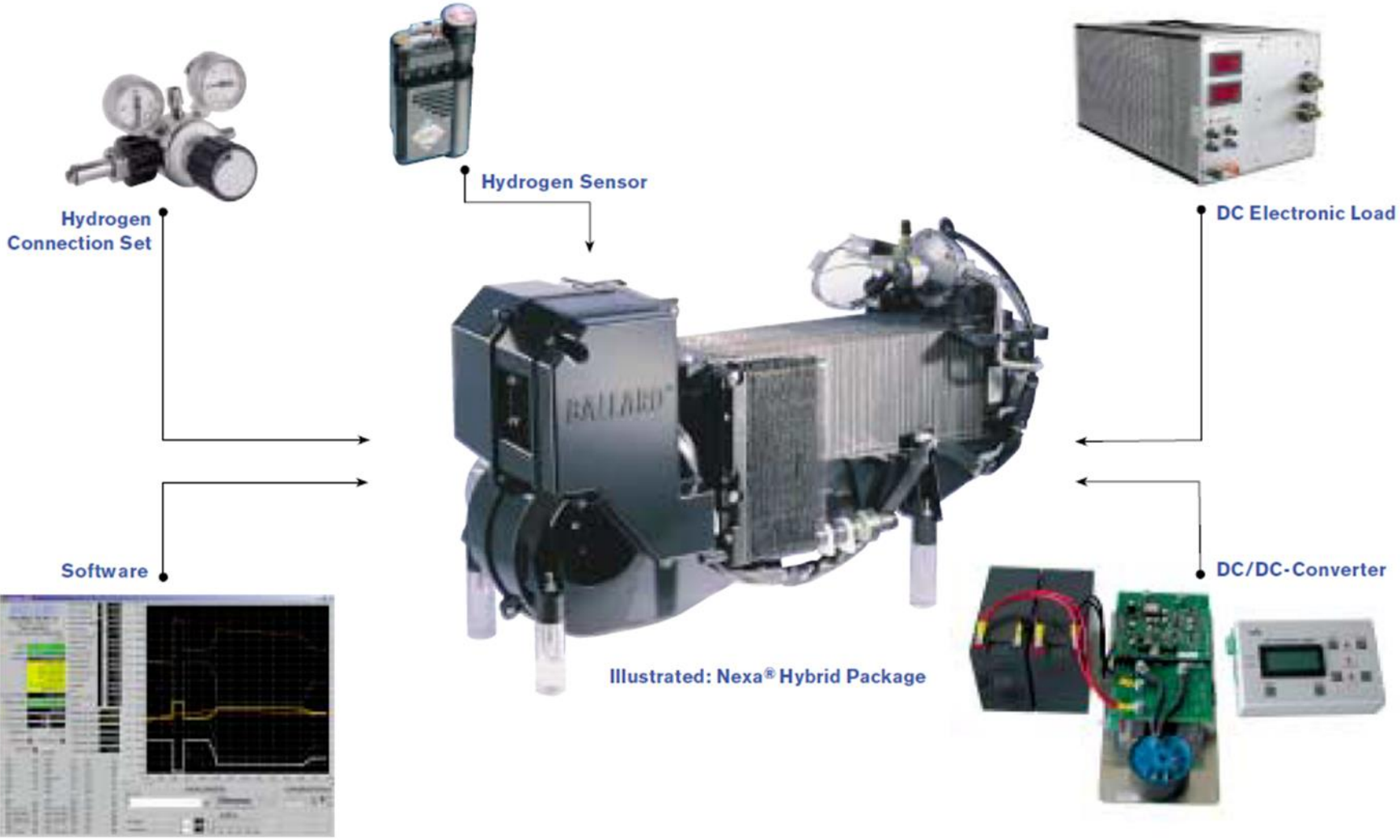
Scopo dell'esercitazione

Caratterizzazione sperimentale di una cella a combustibile

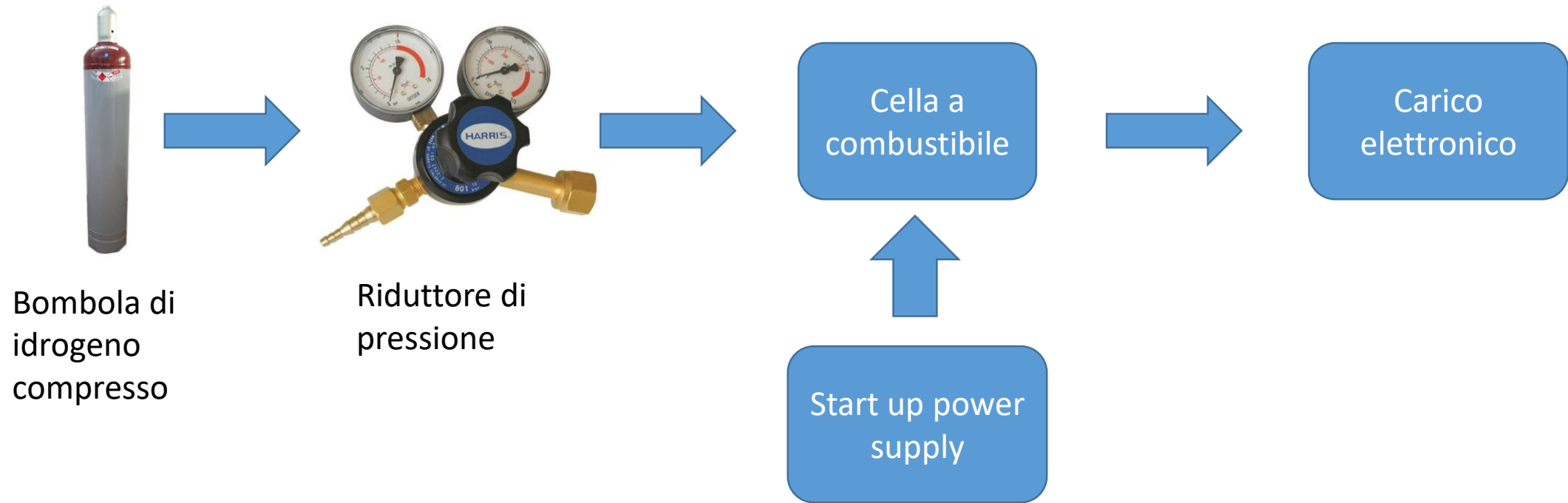


Calcolo del rendimento energetico

Schema del banco prova



Schema del banco prova

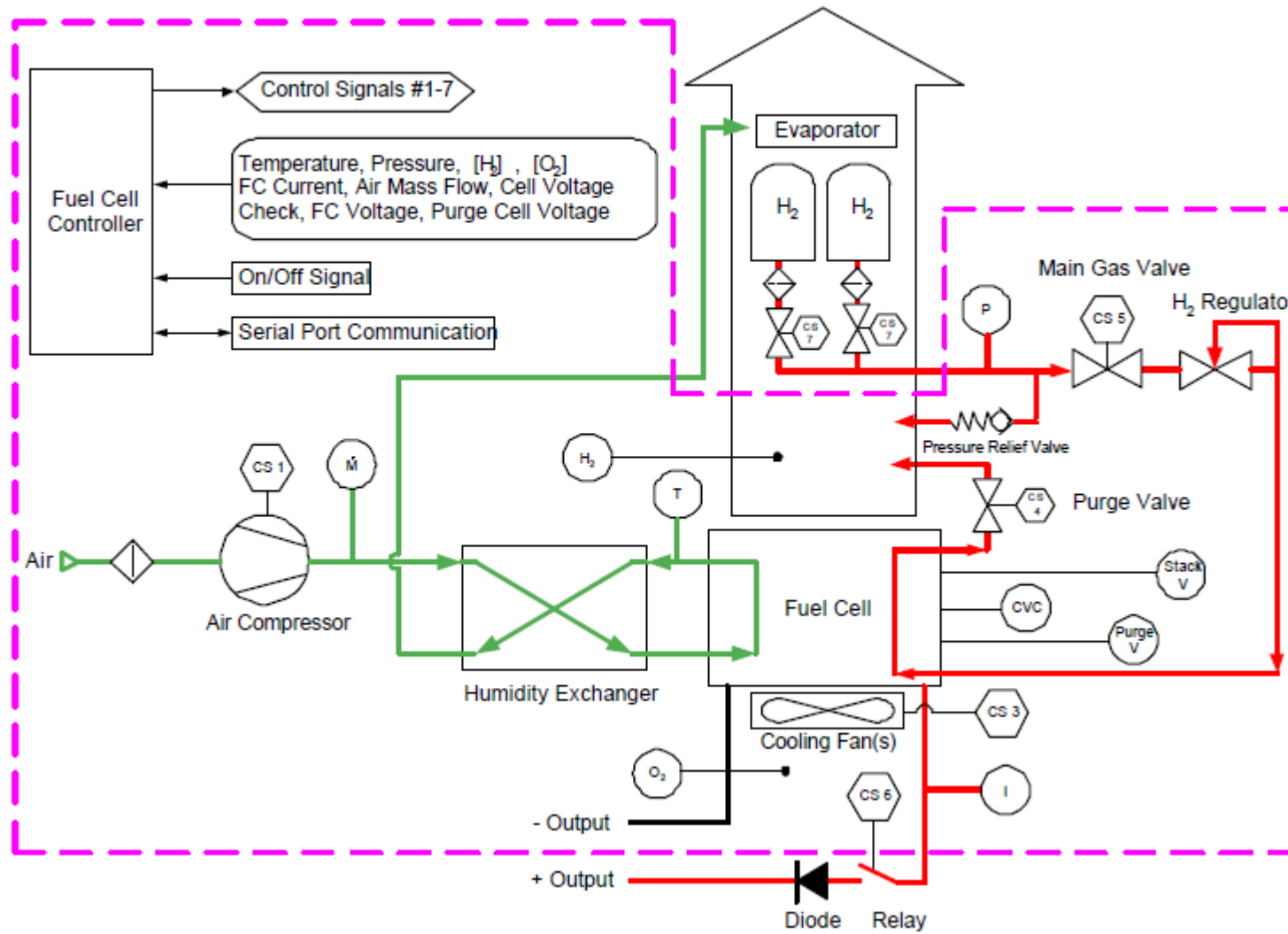


Scheda della cella a combustibile

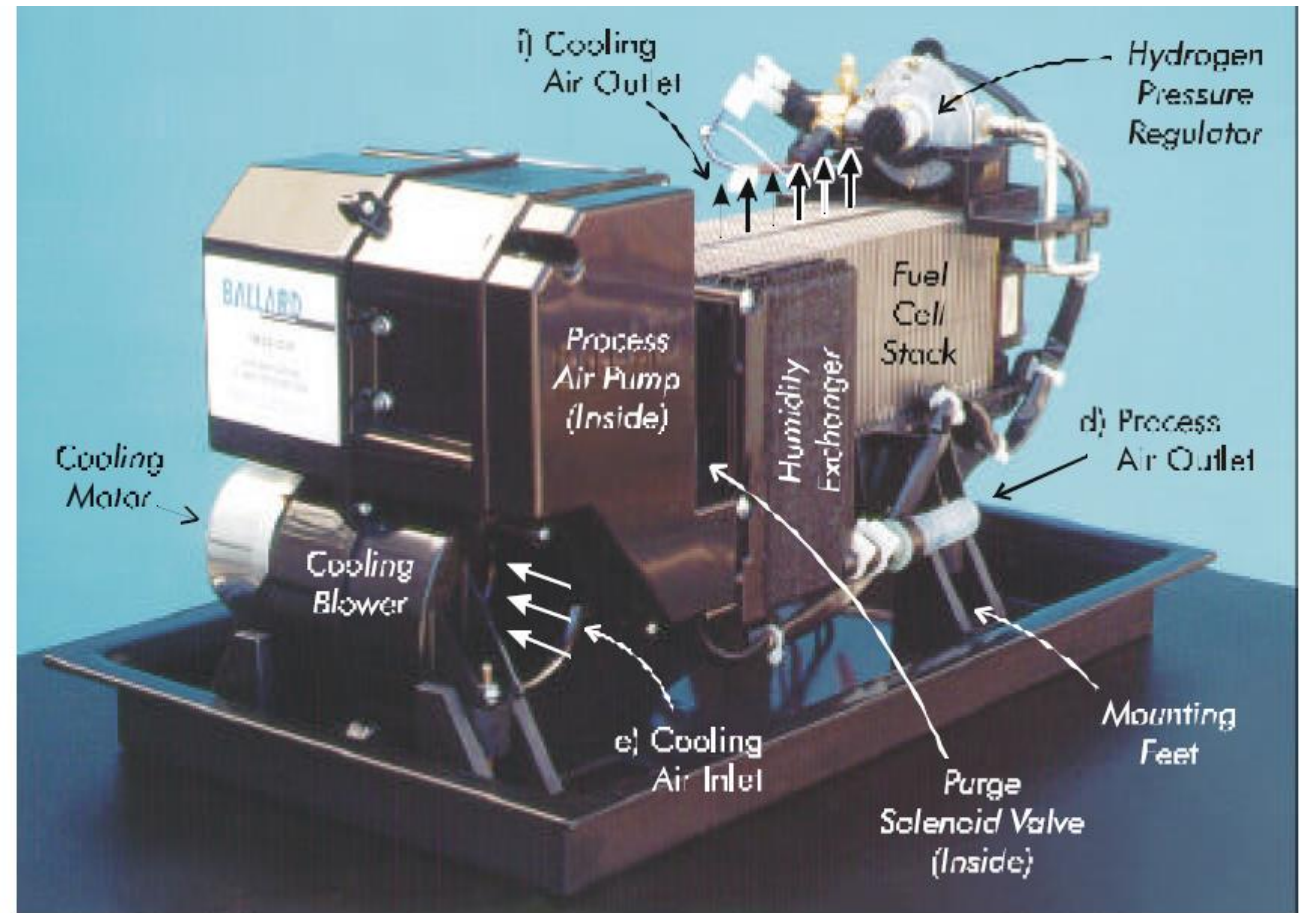
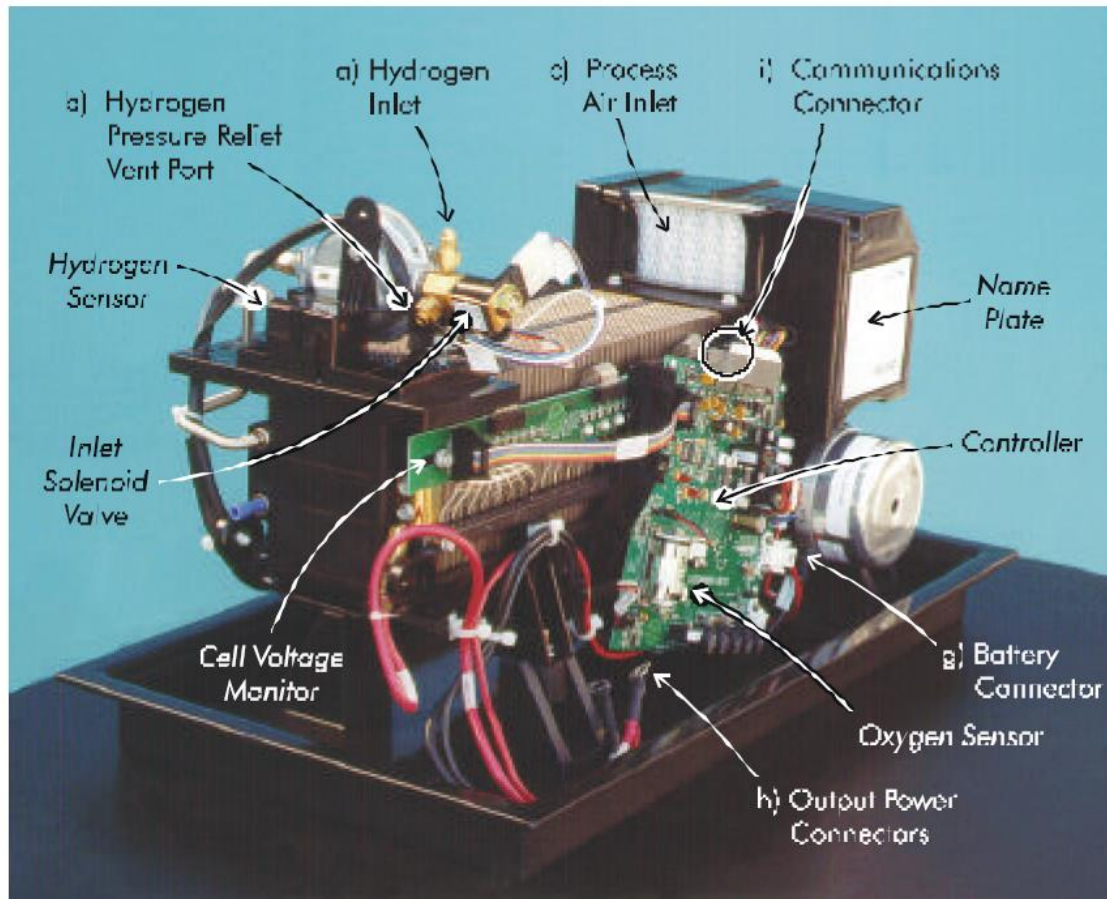
Specifications		
Performance :	Rated net output	1200 watts ¹
	Current	46 Amps ²
	DC voltage	26 Volts ²
	Operating lifetime	1500 hours
Fuel :	Composition	99.99% dry gaseous hydrogen
	Supply pressure	10 to 250 PSIG
	Consumption	≤ 18.5 SLPM ²
Operating Environment :	Ambient temperature	3°C to 30°C (37°F to 86°F)
	Relative humidity	0% to 95% ³
	Location	Indoors and outdoors ⁴
Physical :	Length x width x height	56 x 25 x 33 cm (22 x 10 x 13 in)
	Weight	13 kg (29 lbs)
Certification :		CSA, UL
Emissions :	Liquid water	0.87 liters (30 fluid oz.) maximum per hour ²
	Noise	≤ 72 dBA @ 1 meter
Integration :	Fuel interface	45° flared tube fitting for 1/4" OD tubing – metallic
	Electrical interface	#8 AWG electrical wire
	Control interface	Full duplex RS 485

¹ Beginning of life, sea level, rated temperature range.
² At rated net output.
³ Non-condensing.
⁴ Unit must be protected from inclement weather, sand and dust.

Scheda della cella a combustibile



Scheda della cella a combustibile



Software

